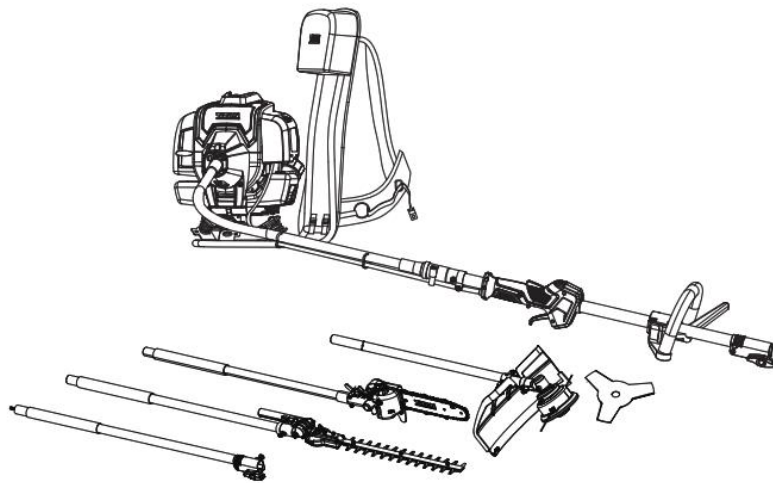
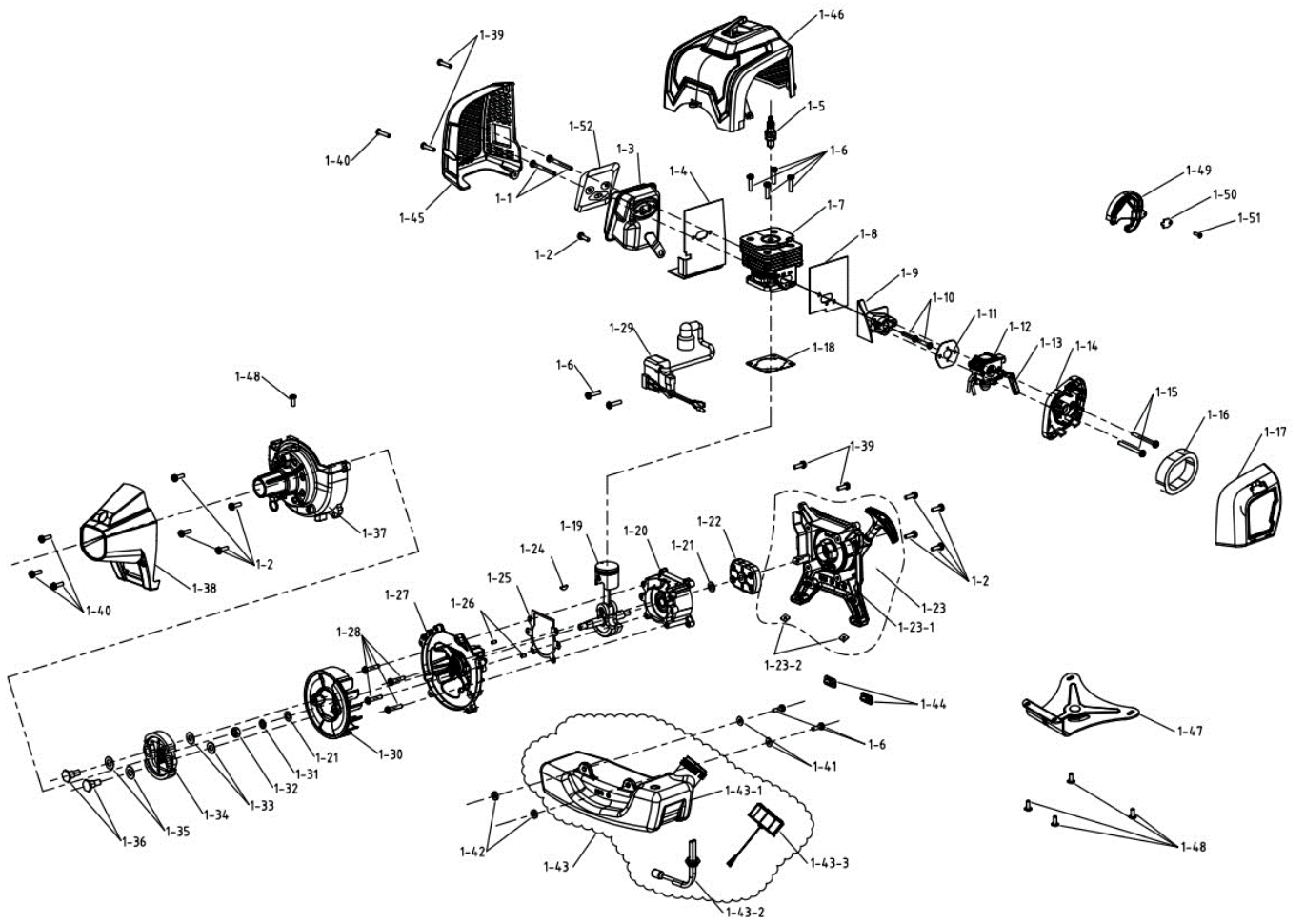


Model Number
Titan TT5MTP33BP-2

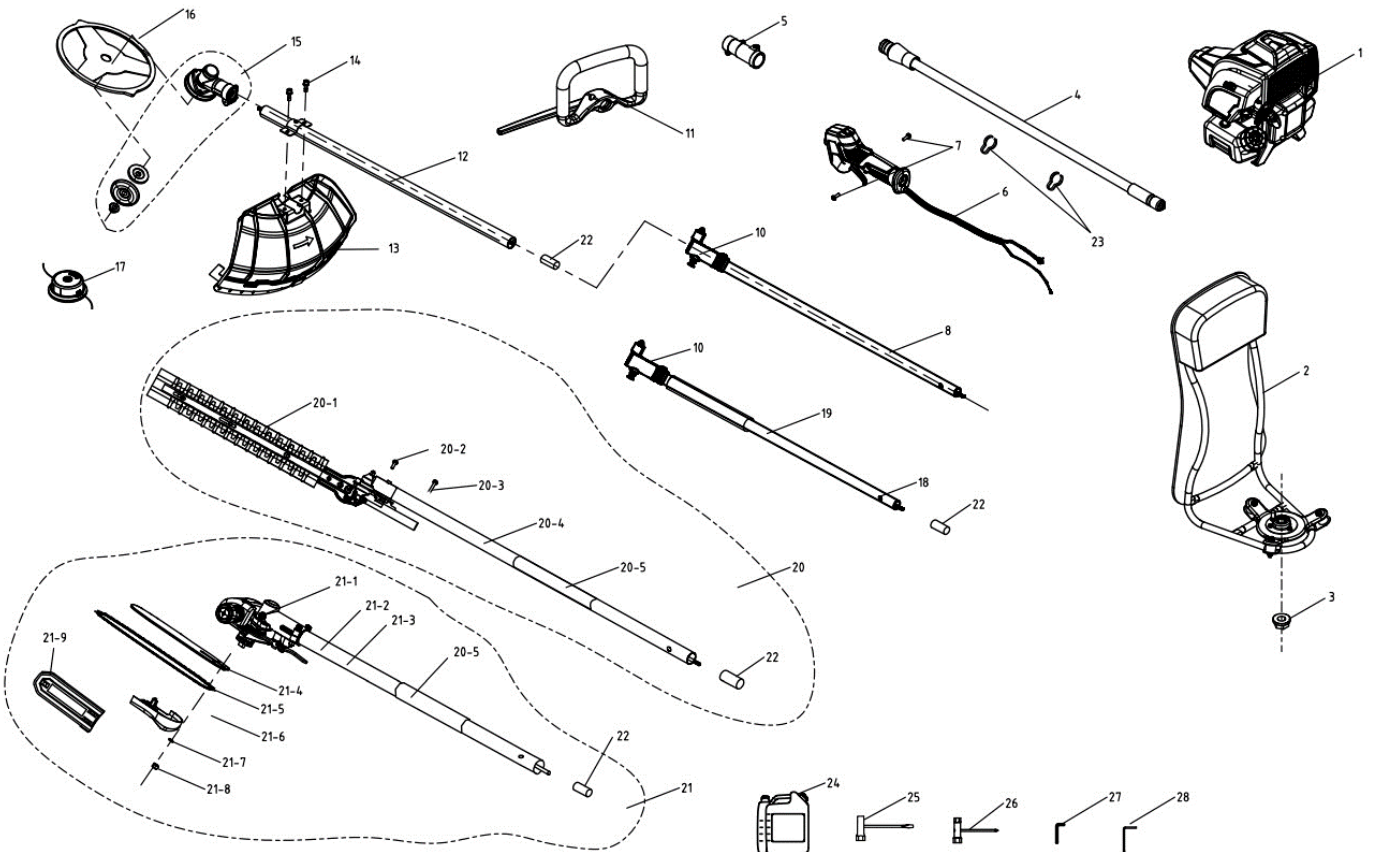


Petrol Back-Pack Multi-Tool

Exploded Diagram 1



Exploded Diagram 2



Parts List

Part ID	Apelson PN	MPN	Part Description	Qty
1	PG90100201	PG90100201	ENGINE	1
1-1	PG10700000	PG10700000	SCREW M6*60	2
1-2	PB00700400	PB00700400	SCREW M5*18	10
1-3	P610000400	P610000400	MUFFLER	1
1-4	PD10600700	PD10600700	EXHAUST GASKET	1
1-5	P000703100	P000703100	SPARK PLUG(CHAMPION)	1
1-6	P000701000	P000701000	SCREW M5X23	8
1-7	P610400000	P610400000	S36E CYLINDER	1
1-8	P610600400	P610600400	CARBURETOR GASKET	1
1-9	P610000200	P610000200	CARBURETOR SEAT	1
1-10	PG40700000	PG40700000	SCREW M5*35	2
1-11	G10600100	G10600100	CARBURETOR GASKET	1
1-12	PG10000200	PG10000200	CARBURETOR	1
1-13	PG40201603	PG40201603	PADDLE	1
1-14	PG40000002	PG40000002	AIR FILTER SEAT	1
1-15	P710701600	P710701600	SCREW M5*50	2
1-16	P710600900	P710600900	SPONGE	1
1-17	PG40200201	PG40200201	AIR FILTER COVER	1
1-18	P610600300	P610600300	GASKET OF CYLINDER	1
1-19	PG10100300	PG10100300	CRANKSHAFT & PISTON ASM.	1
1-20	P610100100	P610100100	BACK CRANK CASE	1
1-21	P000703300	P000703300	WASHER 8	2
1-22	P710000500	P710000500	STARTUP DISK	1
1-23	PG40100201	PG40100201	REAR COVER ASM.	1
1-24	P710700800	P710700800	WOODRUFF KEY	1
1-25	P610600200	P610600200	GASKET OF CRANK CASE	1
1-26	P710701700	P710701700	LOCATING PIN 4X8	2
1-27	PD10101600	PD10101600	FRONT CRANK CASE ASM.	1
1-28	P000702100	P000702100	SCREW M5*35	4
1-29	PD10101500	PD10101500	IGNITION COIL ASM.	1
1-30	P610000500	P610000500	FLYWHEEL	1
1-31	P021701300	P021701300	LOCK WASHER 8	1
1-32	P021700900	P021700900	NUT M8	1
1-33	P710701200	P710701200	WASHER Ø18*Ø8.4*1.2	2
1-34	P710001000	P710001000	CLUTCH	1
1-35	PD10700500	PD10700500	WASHER	2
1-36	P710501000	P710501000	WASHER	2
1-37	PD30100500	PD30100500	FLYWHEEL COVER ASM.	1
1-38	PD10200303	PD10200303	CLUTCH TRIM COVER	1
1-39	P000703600	P000703600	SCREW ST4.5*16L	4
1-40	P800701400	P800701400	SCREW M5*12	3
1-41	P000702000	P000702000	WASHER Ø5XØ13.5	2
1-42	P300300000	P300300000	RUBBER PAD	2
1-43	PG10100201	PG10100201	FUEL TANK ASM.	1
1-43-3	PD10100503	PD10100503	FUEL TANK CAP,ASM	1
1-44	P000300300	P000300300	CUSHION OF FUEL TANK	2

1-45	PG10100101	PG10100101	TOP COVER ASM.	1
1-47	P000701200	P000701200	SCREW M5X15	3
1-48	PG10400000	PG10400000	HEAT SHIELD	1
1-49	P000703400	P000703400	SCREW M4X12	1
1-50	PG10200500	PG10200500	BRACKET	1
1-51	PG40500000	PG40500000	PRESS PLATE	1
1-52	P000702700	P000702700	TAPPING SCREW ST3.5X15	1
2	PD31001301	PD31001301	HARNESS ASSEMBLY	1
3	PD31700400	PD31700400	NUT M10	1
4	PD31000900	PD31000900	FLEXIBLE SHAFT ASSEMBLY	1
5	PD31000000	PD31000000	SHAFT CONNECTOR ASSEMBLY	1
6	PD31100401	PD31100401	SECONDARY HANDLE, ASM	1
7	PG31700000	PG31700000	TAPPING SCREW ST5*8	2
8	PD31100200	PD31100200	TUBE ASM	1
10	PD11000701	PD11000701	CONNECTER ASM	2
11	PG31100000	PG31100000	SECONDARY HANDLE, ASM	1
12	950012	950012	LOWER TUBE ASSEMBLY	1
13	P711102000	P711102000	SAFTY COVER ASM	1
14	P001702100	P001702100	SHEATH	2
15	P711001100	P711001100	TRANSMISSION GEAR "H"	1
16	P711100901	P711100901	BLADE ASM	1
17	P711000400	P711000400	TRIMMER HEAD ASM	1
18	P721100400	P721100400	TUBE ASM	1
19	P021300300	P021300300	RUBBER TUBE	1
20	MT11100500	MT11100500	SL HIGH SHEAR ASSEMBLY (18", LASER SHARP TEETH, 26, 7 TEETH)	1
20-1	MT11000700	MT11000700	SH HEDGE TRIMMER	1
20-2	P000703700	P000703700	SCREW M5X10	1
20-3	P001700800	P001700800	SCREW M5x25	1
20-4	MT11100800	MT11100800	TUBE ASM 25	1
20-5	P021300300	P021300300	SHEATH	1
21	MP11100503	MP11100503	POLE SAW ASM	1
21-1	MP11100703	MP11100703		1
21-2	P021300400	P021300400	SHEATH	1
21-3	MP11100800	MP11100800	TUBE, ASM	1
21-4	MP11002100	MP11002100	GUIDE PLATE	1
21-5	MP11000300	MP11000300	CHAIN	1
21-6	MP11100601	MP11100601	SPROCKET WHEEL COVER ASM	1
21-7	P021701300	P021701300	SPRING WASHER	1
21-8	P021700900	P021700900	HEXAGON NUT M8	1
21-9	MP11200300	MP11200300	GUIDE BAR COVER	1
22	P021300200	P021300200	SHEATH	4
23	P711201200	P711201200	SMALL CLIP CLASP	2
24	PB02200100	PB02200100	RATIO BOTTLE	1
25	P022500000	P022500000	WRENCH	1
26	P012500700	P012500700	WRENCH	1
27	P012500300	P012500300	INNER HEX SPANNER 5	1
28	P012500200	P012500200	SCREW DRIVER T25	1